

# SMARTair® Electronic escutcheon

## ANSI narrow










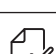



### Pro Wireless Online & Openow

The SMARTair wireless and battery powered escutcheons are ideal for transit, office or meeting room doors. The wide range of escutcheons offer a RFID reader and locking mechanism in one for all kind of doors.



Cylinder Override

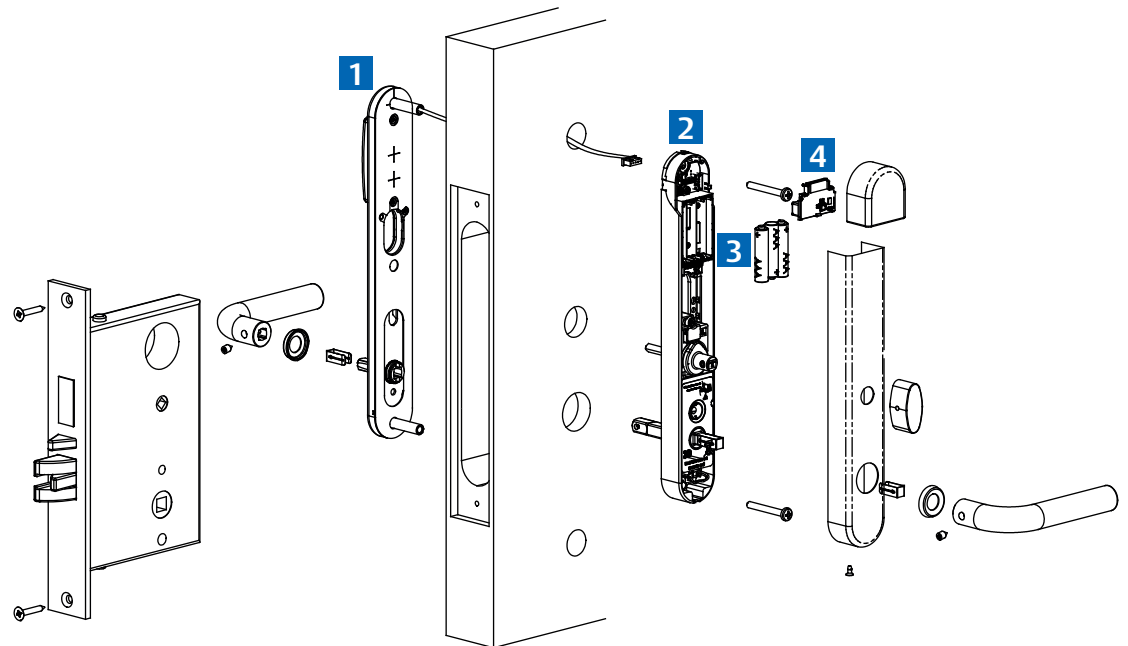
#### Technical data - SMARTair® escutcheon

	<b>Door profiles</b>	Suitable for wooden and metallic doors
	<b>Traffic volume</b>	Medium to high
	<b>Exterior usage</b>	IP56 (Extreme version) Up to 85% humidity -20°C to +70°C
	<b>Hardware compatibility and installation</b>	Suitable for retrofit Drilling, no cabling Doors from 30mm up to 110mm (thicker doors may be possible on demand)
	<b>Power supply</b>	Battery (from 75.000 to 105.000 cycles)* max. 2 years standby** Type of batteries: 3 LR03 AAA 1.5V alkaline batteries
	<b>Multi-authentication</b>	No
	<b>Status information</b>	Handle usage Thumb turn use: only in privacy model Door position: door sensor not included NO (normally open) connection Override Cylinder
	<b>Certifications</b>	CE (EMC, R&TTE) ROHS, REACH, WEE EN 1634
	<b>RFID technologies</b>	HID iCLASS® MIFARE Classic and Ultralight DESFire
	<b>Compatible mobile solutions</b>	 Openow  TESA SMARTair (Remote opening app)
	<b>System management upgradability</b>	SMARTair® escutcheons can be upgradeable from Standalone > Offline / Update On Card > Wireless Online by: · Adding RF module · Firmware upgrade · Change of internal cover (plastic top)

\* Depending on reading technology (MIFARE, iCLASS etc.):

\*\* Depending on cycles per day.

# Electronic Technical Characteristics



## 1 Reader Module

- Activation Mode: The escutcheon is activated without any previous contact with the escutcheon, just approaching the credential, ensuring an efficient power consumption.
- Reading distance: 2-4 cm read/write distance with standard RFID credentials.
- Emergency opening: Jack connection is available to connect the portable programmer and emergency kit.
- RFID reader with LED (green/red) for different warning signals: access authorized or denied, low battery level, etc.

## 2 Control Unit

- Upgradeable firmware.
- Non-volatile memory. The escutcheon can be programmed to operate in 3 modes:
  - Normal mode: 1500 users and 600 events.
  - Extended mode: 1000 users and 1000 events.
  - High traffic door: unlimited number of users filtered into 48 groups (permissions). Stores 1000 events.
- Real-time clock and calendar:
  - 30 time zones with 5 time periods (week days and holidays selectable).
  - State tables: configure 20 changes of operating modes in a door per day (switch door from lock to unlock).
  - Yearly calendar needs to be updated once a year via portable programmer.
  - Automatic DST: Daylight Saving Time change. Updated with calendar.

## • Operating modes:

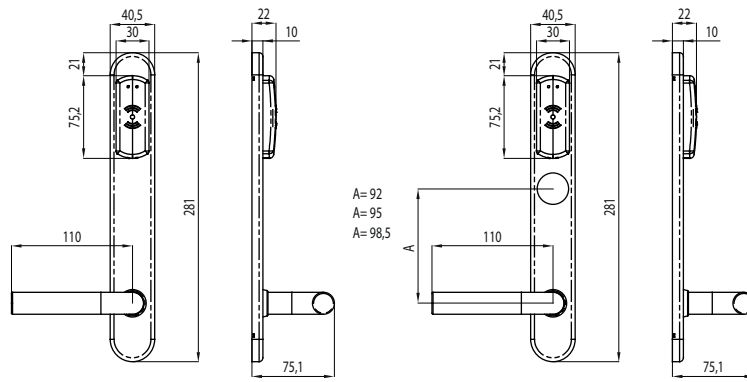
- Standard: Default operating mode. Freewheeling handle until valid credential presented, then allows to open the door for 4-10 seconds (configurable).
- Standard ADA: Standard with double opening time.
- Passage mode: Escutcheon is always in open mode (configured by time zones or by authorized user after double badging).
- Double user: Two valid credentials needed to open the door.
- First user: lock in standard mode until first valid user enters, then will remain in passage mode (until closed by authorized user or automatically by time zone, state tables).

## 3 Battery Module

- Easy battery change.
- Maintains clock/calendar for 5 minutes without batteries.
- Battery status reported on every event or once a day if no event happens.

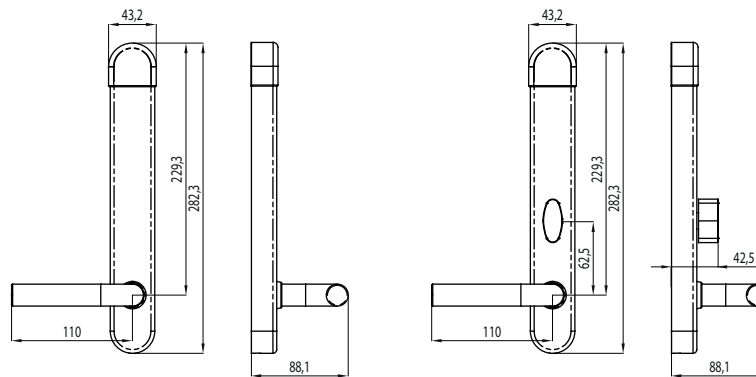
## 4 RF & Openow Module

- 868MHz, 902MHz or 915MHz selectable in field.
- 30 configurable channels:
  - From 868,00 to 875,25 in steps of 0,25MHz.
  - From 902,00 to 909,25 in steps of 0,25MHz.
  - From 915,00 to 922,25 in steps of 0,25MHz.
- Auto-link with communication Hubs (easy setup).
- Upgradeable firmware.
- Low Energy Bluetooth 4.2 based module.



Ext. Blind

Ext. Cylinder



Int. Blind

Int. Thumbturn

## Mortise Lock

- Compatible with ANSI standard mortise locks (activated by 7,8 mm and 8 mm spindle depending on the mortise lock where it is mounted).
- Pass through follower required (no split spindle).
- 42° handle turning should insert whole latch bolt.
- Special model with 60° handle.
- Mortise lock and mechanical cylinder are not included.

## Door width

- Suitable for doors with a thickness from 30 to 110mm.
- The escutcheon's spindles have different lengths depending on the thickness of the door.
- Spindle is dismountable, for flexibility in field.

## External Handle

- Freewheeling handle connects to spindle when access is granted.

## Internal Handle

- Panic function, internal handle always opens door.

## Handle shapes and surfaces



Vector



Xara



Sena



Zafira



Stainless Steel



PVD Satin Chrome



PVD Polish Brass



PVD Matt Brass



Black

## About Mul-T-Lock®

Mul-T-Lock® is the worldwide leader in developing, manufacturing and marketing high security products and access control solutions to the residential, commercial and institutional markets, for over 45 years. Adhering to the most stringent security standards, Mul-T-Lock® products are sold via 20,000 authorized and trained service centers on every continent. Mul-T-Lock® holds tens of international patents for its innovative products, which provide safety, security and convenience. Mul-T-Lock® is an ASSA ABLOY Group Brand.

For more information visit [mul-t-lockusa.com](http://mul-t-lockusa.com)

 **SMARTair**®  
Your Access. Your Control.

SMARTair® is a powerful access control system that offers an intelligent, yet simple, step up from keys. SMARTair™ is the cost-effective alternative to a full high-security system. SMARTair® contactless, smart card technology is easily incorporated into existing systems, with multiple management solutions. No bells, whistles, or wires, just sleek, reliable security.



[www.mul-t-lock.com](http://www.mul-t-lock.com)

The Mul-T-Lock name, the muscleman logo, in the field of locking products, and any other name, mark or logo used by Mul-T-Lock and/or its affiliates and marked by an ® or ™ sign are registered/pending trademarks of Mul-T-Lock Ltd. and/or its affiliates. 2019

An ASSA ABLOY Group brand

ASSA ABLOY